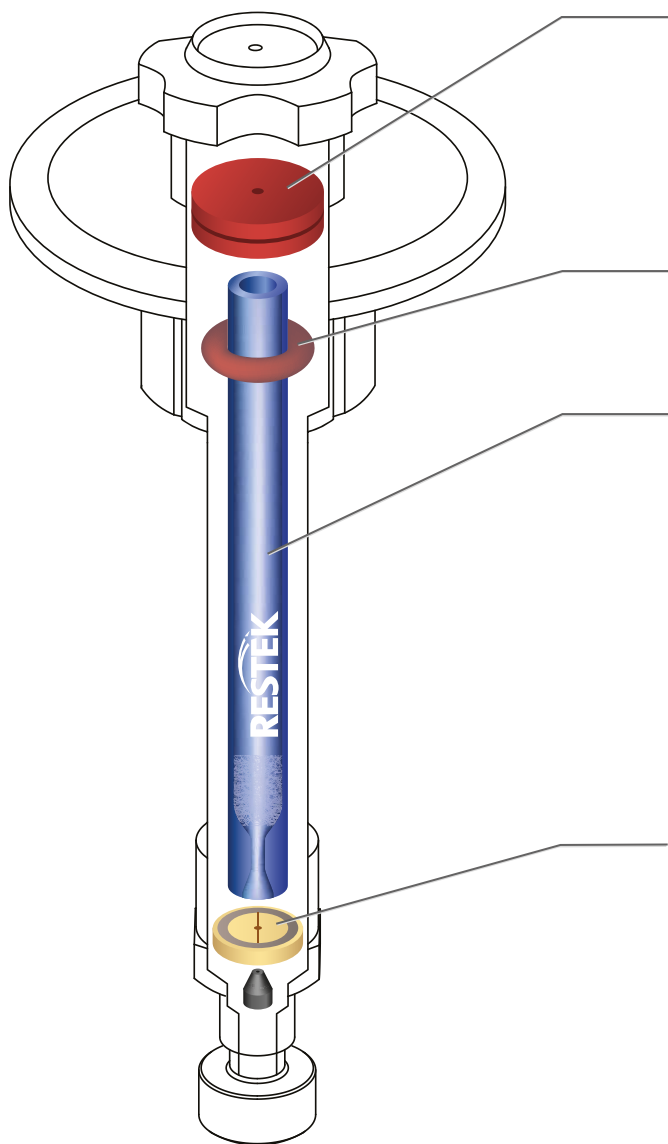


Inlet Supplies for Thermo TRACE 1300/1310 and 1600/1610 GCs



Septa (11 mm)

Septum Diameter	50-pk. cat.#	100-pk. cat.#
Thermolite Plus Septa (usable to 350 °C inlet temp.)		
11 mm (7/16") with CenterGuide	23864	23865
Premium Non-Stick BTO Septa (usable to 400 °C inlet temp.)		
11 mm (7/16") with CenterGuide, predrilled	27090	27091

Viton O-Rings

Description	Max Temp	Similar to TS Part #	10-pk. cat.#	50-pk. cat.#
Viton O-Rings	300 °C	290-013-20	22241	22242

Topaz Inlet Liner

ID x OD x Length	qty.	cat.#
Single Taper, Premium Deactivation, Borosilicate Glass with Quartz Wool 4.0 mm x 6.5 mm x 78.5 mm	5-pk.	23447
Single Taper, Premium Deactivation, Borosilicate Glass 4.0 mm x 6.5 mm x 78.5 mm	5-pk.	23446
Straight, Premium Deactivation, Borosilicate Glass with Quartz Wool 4.0 mm x 6.3 mm x 78.5 mm	5-pk.	23444
Precision, Premium Deactivation, Borosilicate Glass with Quartz Wool 4.0 mm x 6.3 mm x 78.5 mm	5-pk.	23267

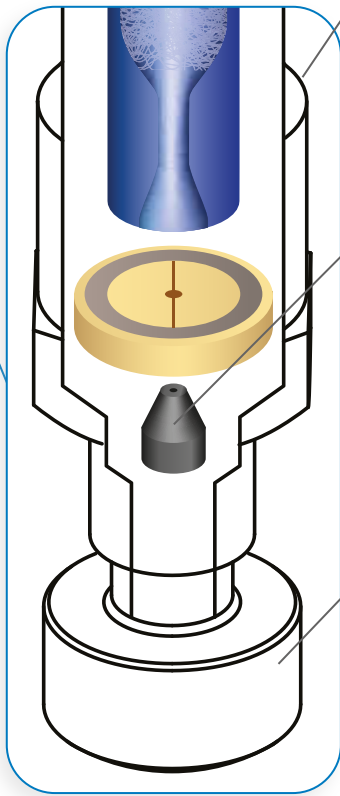
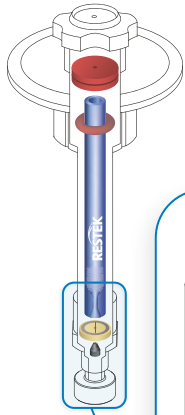
Dual Vespel Ring Inlet Seals

0.8 mm ID Dual Vespel Ring Inlet Seal	2-pk. cat.#	10-pk. cat.#
Gold-Plated	22243	22244

Replacement Inlet Seals

Single-Column Installation 0.8 mm ID (Opening)	2-pk. cat.#	10-pk. cat.#
Gold-Plated	22231	22232

Visit www.bgb-info.com/restek for a complete product listing.



Reducing Nut

Description	qty.	cat.#
Direct Replacement Reducing Nut for Agilent 5890/6850/6890/7890/8890 GCs	ea.	22078

Compact Ferrules

Ferrule ID	Fits Column ID	qty.	Graphite
0.4 mm	0.025/0.05/0.075/0.10/0.15/0.18/0.20/0.25 mm (fused silica); 0.18 mm (MXT)	10-pk.	20250
0.5 mm	0.32 mm (fused silica); 0.25/0.32 mm (MXT)	10-pk.	21007
0.8 mm	0.45/0.53 mm (fused silica); 0.53 mm (MXT)	10-pk.	20252

Standard 1/16" Ferrules

Ferrule ID	Fits Column ID	qty.	Graphite
0.4 mm	0.025/0.05/0.075/0.10/0.15/0.18/0.20/0.25 mm (fused silica); 0.18 mm (MXT)	10-pk.	20200
0.5 mm	0.32 mm (fused silica); 0.25/0.32 mm (MXT)	10-pk.	20201
0.8 mm	0.45/0.53 mm (fused silica); 0.53 mm (MXT)	10-pk.	20202

Column Nuts

Description	qty.	cat.#
Hot Swap Capillary Column Nut for Agilent Standard 1/16" Ferrules	ea.	22347
Hot Swap Capillary Column Nut for Agilent Compact Ferrules	ea.	22348
Capillary Column Nut, Stainless Steel, for Use w/Agilent Compact Ferrules	2-pk.	21884
Capillary Column Nut, Brass, for Use w/Agilent Compact Ferrules	2-pk.	21878
Capillary Column Nut, Stainless Steel, for Use w/Standard 1/16" type Ferrules	2-pk.	20883
Capillary Column Nut, Brass, for Use w/Standard 1/16" type Ferrules	2-pk.	21879

Installation Gauge

Description	qty.	cat.#
Finger-Tight Column Installation Gauge with Agilent-Style GC Inlet Fitting for Agilent GCs (except Intuvo); PerkinElmer 590/690 and GC2400 GCs; Thermo TRACE 1300/1310 and 1600/1610 GCs	ea.	27228

Visit www.bgb-info.com/restek for a complete product listing.

BGB GC|LC
MS|CE

www.bgb-shop.com

Switzerland BGB Analytik AG • Rohrmattstrasse 4 • 4461 Böckten • Phone +41 61 991 00 46 • Fax +41 61 991 00 25 • sales@bgb-analytik.com

Austria BGB Analytik Vertrieb GmbH • Mühlestraße 1 • 79539 Lörrach • Phone +49 7621 5884270 • Fax +49 7621 5884289 • sales.de@bgb-analytik.com

Turkey and Azerbaijan BGB Analytik Laboratuvar Malzemeleri Ticaret LTD.ŞTİ • Starport Residence • Yenişehir Mah. Osmanlı Bulvarı. • Sümbül Sok. No:10, Daire: 193 • 34912 Kurtköy, Pendik, İstanbul • Phone +90 2169092048 • sales.tr@bgb-analytik.com